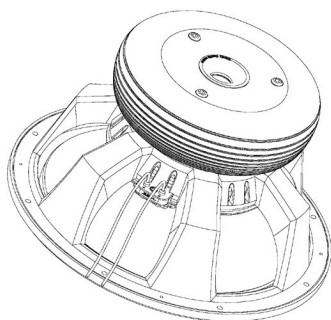


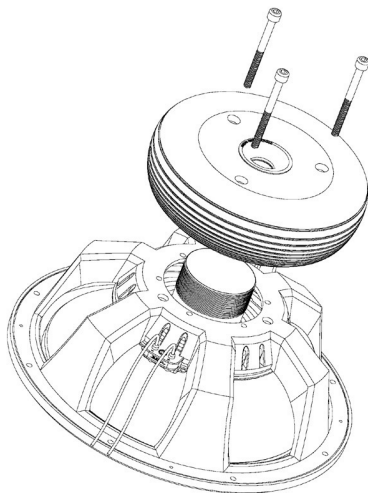


BD15CR-V1/ BD15PR-V1 Instruction manual



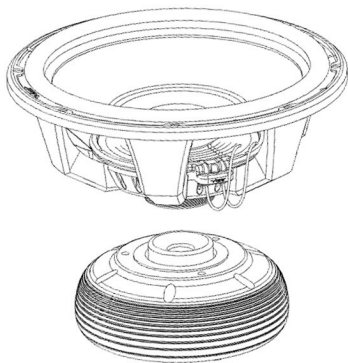
Step 1

Turn the subwoofer over so that the cone is face down on the work surface and the magnet is facing up



Step 2

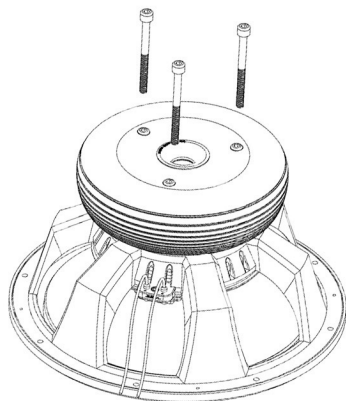
Remove the 3 retaining bolts and carefully lift off the motor structure



Step 3

Place the motor structure flat on the work surface and gently place the recone kit into position, this way there will be minimal risk of damage to the voice coil.

NOTE - do not attempt to place the motor structure on top of the recone kit as due to the weight of the motor structure it is certain that the voice coil will be damaged



Step 4

with the motor structure in place, carefully flip the subwoofer over holding the recone kit and motor together. Insert the 3 retaining bolts to complete the recone procedure.

