



FLI

I N T E G R A T O R
C O M P
T W E E T E R S

INSTRUCTION & INSTALLATION MANUAL

www.fliaudio.co.uk



For best connections and performance use only FLI cabling and accessories

**Thank you for purchasing these FLI Tweeters.
They will provide you with a lifetimes
trouble free usage providing you follow a few
simple guidelines.**

Contents

- 2 x Tweeters
- 2 x Flush mounting tweeter cases
- 2 x Surface mount tweeter cases
- 2 x Inline crossover units including FLI speaker cable
- 2 x Sticky pads for crossovers
- 2 x Sticky pads for surface mount (optional)
- 2 x Metal fixing strips for tweeter mounting
- Instruction manual
- Warranty card

Features

- 25mm silk domed tweeter with flush fit or surface mount options
- Separate in line crossover unit

CAUTION!

Before drilling or cutting any holes please investigate the layout of your vehicle.

If possible keep the speaker/ tweeters away from any wiring harnesses, brake lines, fuel lines or the fuel tank. If this is not possible then extra care and attention should be taken when cutting / drilling any holes in the vehicle.

Ensure that the speaker/ tweeters when fitted will not catch on any moving parts such as door / window handles.

If mounting in a door check that the window can still be fully lowered before installing.

Tweeter Installation Guidelines

The tweeter can either be fitted flush mount or surface mount. Try and take into account the following when locating a suitable position.

For optimum sound staging try and locate a position that is higher than the woofer but within twelve inches (maximum) of it.

Higher frequency sounds radiate in a very narrow field away from the tweeter.

Because of this it's vital that they are adjusted so their sound is always focused towards the listener.

Surface Mount Tweeter Installation

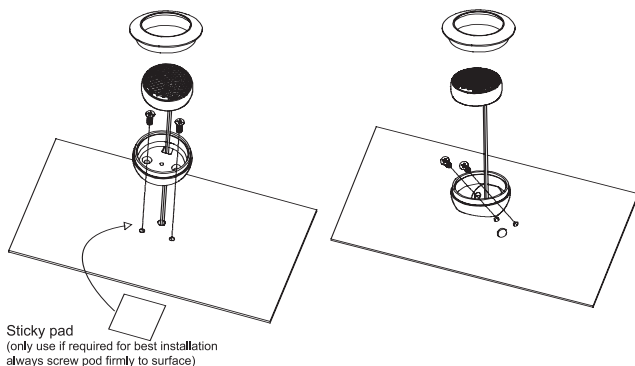
After finding a suitable position for the tweeters place the base of the tweeter casing in the correct position.

Using this base mark the two mounting holes and the hole for the wire to pass through. Cut out these holes using a 4mm drill for the fixing screws and at least an 8mm hole for the cable, ensure that the hole cut for the cable is big enough and will not cause the cable to become chaffed in any way.

Pass the tweeter cable through the bottom of the case and through the previously drilled hole.

Secure the bass of the tweeter housing with the screws provided.

Finally, angle the tweeter so that it is focused towards the listener.



Flush Mount Tweeter Installation

For ease of installation there are two ways of fixing the tweeters in place.

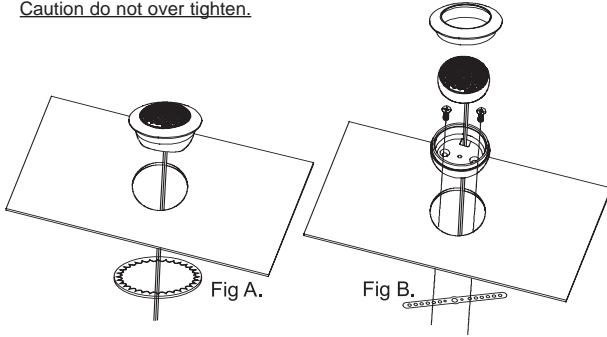
The first requires the use of the metal ring provided. **(See Figure A)**

- After finding a suitable position for the tweeters place the cut out template for the tweeter in position and mark around it.
- Before cutting the holes double check that no brake, fuel lines or wiring harnesses are likely to get damaged.
- Ensure that the tweeter when fitted will not catch on any moving parts such as door / window handles.
- If mounting in a door check that the window can still be fully lowered before installing.
- Cut out the hole carefully.
- Place the entire tweeter into the cut out hole.
- From the back push the metal ring over the rear of the casing until it is tight into the hole.

The second requires the use of the metal strip provided. **(See Figure B)**

- After finding a suitable position for the tweeters place the cut out template for the tweeter in position and mark around it.
- Before cutting the holes double check that no brake, fuel lines or wiring harnesses are likely to get damaged.
- Ensure that the tweeter when fitted will not catch on any moving parts such as door / window handles.
- If mounting in a door check that the window can still be fully lowered before installing.

- Cut out the hole carefully.
- Position the metal strip fixing strip centrally, behind the cut out hole.
- Using the fixing screws attach the base of the tweeter case to the metal strip.
- Pass the tweeter cable through the hole in the centre in the bottom of the case and the metal fixing strip.
- Pull the cable tight until the tweeter sits in the base.
- Screw the top of the tweeter casing to the base.
- Caution do not over tighten.



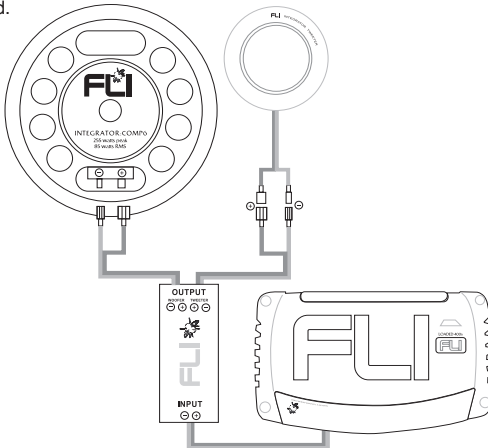
Crossover Installation

The crossover units come with wires with crimped ends on already attached to them to ease the installation process. The image below should be used as a guide to wire the crossovers into your system.

Once the crossover has been wired correctly use the two sticky pads to fix it to a secure, dry location.

Congratulations! You have now wired the speakers correctly.

Please spend a little time to fill in the form at the back of this manual, along with the warranty card.







In order to protect your purchase and aid your warrantee please fill in the following form and keep it safe for your future reference:

www.fliaudio.co.uk

Model Number:

Serial Number:

Purchased From:

Date of Purchase:

KEEP IT SAFE
Staple your receipt here:



Limited Warranty

All FLI goods are covered by a full twelve months warranty. Valid from the date of the original receipt and proof of purchase. In order to validate this warranty, the warranty card should be returned to FLI within seven days of the original purchase date. The original receipt and packaging should also be kept for this twelve month period.

If at any stage during the warranty period you have a problem with the product then it should be returned to the point of purchase in its original packaging, complete and with no items missing.

If the store is unable to fix the product it may have to be returned to FLI this process takes around 7 working days.

A full description of FLI's warranty information can be found on our website:

www.fliaudio.co.uk/warranty

A written version can also be obtained from
FLI warranty department
PO Box 11000
B75 7WG

Copyright

All content included in this manual such as text, graphics, logos, icons, images data, the selection and arrangement thereof, are the property of FLI Audio (herein referred to as "FLI", "us" or "we") and its affiliate or their content and technology providers, and are protected by United Kingdom and International copyright laws. All rights reserved.

Trademarks

FLI Frequency™, FLI Integrator™, FLI Loaded™, FLI Trap Passive™, FLI Trap Active™, and FLI Trap Twin™ and all stylised representations of product names, or the abbreviations of product names, as logos are all trademarks of FLI. Graphics and logos are trademarks or trade dress of FLI Audio or its subsidiaries.

FLI's trademarks and trade dress may not be used in connection with any product or service that is not FLI's, in any manner that is likely to cause confusion among customers or in any manner that disparages or discredits FLI. All other trademarks not owned by FLI or its subsidiaries that appear in this manual are the property of their respective owners, who may or may not be affiliated with, connected to, or sponsored by FLI or its subsidiaries.

We reserve the right to make needed changes or improvements to the product ,
without informing the customer advance.
copyright 2006