



Instruction Manual

To ensure maximum performance and safety, please follow this manual.
Please retain the manual for future reference after installation.

Manuel d'instructions

Afin d'assurer la performance et la sécurité maximale, il est conseillé de consulter les instructions fournies et de garder le carnet même après l'installation pour éviter de futurs problèmes.

Manuale di Istruzione

Per assicurare massime e la sicurezza, si prega di seguire questo manuale.
Si prega di trattenere questi istruzioni dopo l'installazione per il riferimento nel futuro.

Bedienungsanleitung

Um die optimale Leistung und Sicherheit des Gerätes zu erhalten, folgen Sie bitte dieser Bedienungsanleitung! Bitte bewahren Sie die Bedienungsanleitung nach dem Einbau gut auf, um auch in der Zukunft Hinweise nachlesen zu können.

Manual de instrucciones

Para asegurar el buen funcionamiento y la seguridad, por favor, lea las instrucciones. Por favor, guarde el manual para futuras referencias después de la instalación.

VIBE Technologies Ltd (UK)
Tel: +44 (0) 845 601 4507
www.vibeaudio.co.uk
info@vibeaudio.co.uk

TABLE OF CONTENTS

Introduction.....	3
About the Manual and Warranty.....	3
VIBE ICC VENTS.....	3
Recommended Amplifier Installation.....	3
Product Description.....	4
Input Connections and Audio Controls.....	4
Connections for Power and Speakers.....	6
Important - Cable Chokes.....	6
Applications.....	7
Single 4 Ohm Subwoofer Applications.....	7
Twin 4 Ohm Subwoofers Applications (2 Ohm Loading).....	8
Quad 4 Ohm Subwoofer Applications (1 Ohm Loading).....	9
Single Dual Voice Coil (4 Ohm) Subwoofer Applications (2 Ohm Loading).....	10
Twin Dual Voice Coil (4 Ohm) Subwoofer Applications (1 Ohm Loading).....	11
Electrical Connections for the MonoBox IV.....	12
Post-Installation.....	13
Setting the Crossover.....	13
Final System Checks.....	13
Troubleshooting.....	14
Specifications.....	15

INTRODUCTION

The VIBE MonoBox IV subwoofer amplifier features:

- Bass limited frequency response with low distortion and exceptional signal to noise performance
- Advanced circuit design featuring full stability at 4 to 1 Ohm loading.
- Variable low-pass and subsonic electronic crossovers with 24dB per octave slopes
- Adjustable input level controls with ground loop isolation accepting a wide range of input signals
- Remote turn-on with “soft start” muting to prevent turn on “thump”
- Pulse-Width Modulated (PWM) MOSFET power supply with low AM RFI and protection circuits for overheating and speaker shorts
- Dedicated Microprocessor circuit for full amplifier protection modes.
- Gold-plated input/output connectors and an external automotive-type fuse
- Aluminium heat sink for efficient heat dissipation
- Low profile, compact size for space-limited installations

ABOUT THE MANUAL AND WARRANTY

To start enjoying your new VIBE monoblock amplifier, please read the instructions listed in this manual. Keep all instructions for future reference. Please fill out and send in the enclosed warranty card to protect your purchase and aid in warranty service. Also, save your original sales receipt as proof of purchase.

VIBE ICC VENTS

The MonoBox amplifiers feature an ultra compact low profile design that utilizes ICC (Internal Convection Cooling) Vents. Each MOSFET is individually clamped to the aluminium heat sink allowing maximum heat transfer to be achieved through the internal cooling fins; the ICC vent allows the dissipation of the heat without affecting the superior exterior aesthetics. It is very important not to block or impede the air flow to and from the ICC vents as this may cause the unit to become very hot and go into a protection mode.

DO NOT BLOCK ICC VENTS OR THE AIR-FLOW TO THE ICC VENTS UNDER ANY CIRCUMSTANCES.

RECOMMENDED AMPLIFIER INSTALLATION

To achieve maximum performance and superior sonic quality from your MonoBox amplifier the following points should be followed:

- Mount the amplifier horizontally or vertically - NEVER upside down
- Use VIBE Power 4 supply & ground cable (minimum)
- Use VIBE REMOTE 18 FLAT LINES remote cable
- Use VIBE FLAT2 OFC RCA interconnects
- Use VIBE FLAT1 OCC Bass Specific RCA Interconnects
- Use VIBE FLAT13 OFC solid core bass cable for subwoofer applications

PRODUCT DESCRIPTION

The VIBE MonoBox IV amplifier provides 1 × 500 watts of power into a 4 Ohm Load, 1 × 850 watts of power into a 2 Ohm load and 1 × 1400 watts of power into a 1? load. This full featured model is an excellent choice for a variety of car audio subwoofer system configurations.

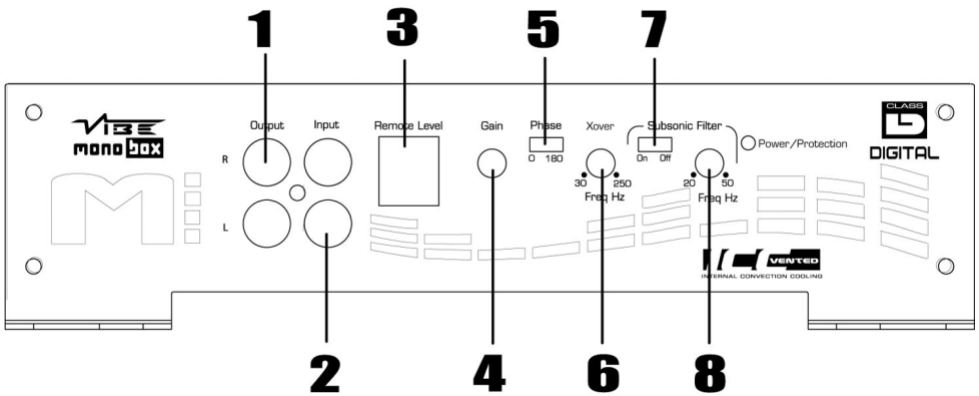
The MonoBox IV uses an unregulated MOSFET power supply for superior control of output wattage. A toroid-coil transformer yields maximum power transfer with minimum heat loss. Careful attention to circuit design keeps AM RFI at low levels, so you won't hear unwanted noise when the level is cranked up. Protection circuits safeguard the amplifier when overheating and speaker shorts or improper load conditions occur.

All connections and controls for the MonoBox IV are on the end panels and are easy to understand. We use gold-plated RCA and barrier connectors to ensure the best electrical connection for your system. Included are external automotive type fuses that are easy to replace.

INPUT CONNECTIONS AND AUDIO CONTROLS

The front panel of the MonoBox contains connections for RCA Inputs, Remote level control and Audio Controls as shown on the figures below. The RCA Input Connections are gold-plated RCA jacks and are labelled as RIGHT and LEFT.

Figure 1: MonoBox IV Front Panel



1. RCA Output Jacks
2. RCA Input Jacks
3. Remote Level Port
4. Gain Control
5. Phase Control Switch
6. Low Pass Filter Control
7. Subsonic On/Off Switch
8. Subsonic Filter Control

Standard Controls

- Remote Level Input

This input socket is for the connection of the external digital level controller .

The MonoBox IV remote level controller in addition to level also displays important codes to the user regarding amplifier status.

H0	High Temperature Protection Mode
P0	Protection mode during power up
P1	Short Circuit Protection Mode
P2	DC Protection Mode
P5	Battery Voltage too High

The remote feature also offers a memory function, press and hold the control pot for 2-3 seconds and the remote will store that particular level in its memory; press the control pot briefly and the level is recalled.

- Gain Control

This allows you to set the nominal operating level of the amplifier. The amplifier has an input range of 250mV to 5V for the RCA inputs.

- Low Pass Filter

This allows you to set the frequency at which the amplifier output will be filtered above this point. The filter has a range of 50 – 250Hz with a 24dB slope per octave.

- Subsonic Filter

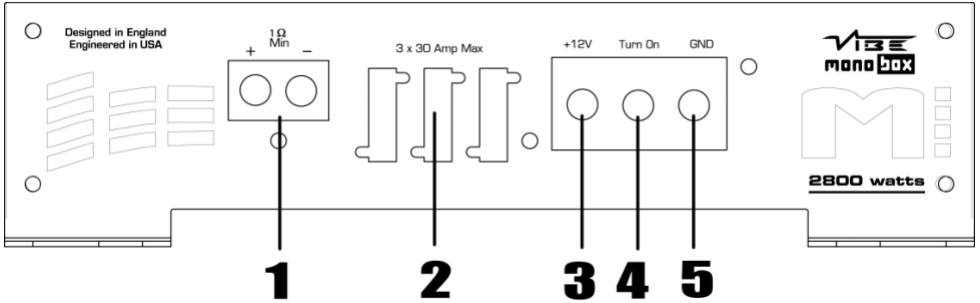
This allows you to set a frequency at which the amplifier output will be filtered out below this point. The filter has a range of 20 – 50Hz with a 24dB slope per octave. The Subsonic filter is selected via a simple On/Off switch, since this filter is optional.

- Phase Control

This switch allows the amplifier output to be switch by 180 degrees; this effectively can make the audio output in phase or out of phase with the rest of the speakers within the system. It is recommended that this switch is moved between the 2 positions until the best low frequency performance is heard.

CONNECTIONS FOR POWER AND SPEAKERS

Figure 2: MonoBox IV Rear Panel



- 1. Mono Output
- 2. 3 x 30 Amp Fuses
- 3. Battery +12V Input
- 4. Remote Turn-on Input
- 5. Ground Input

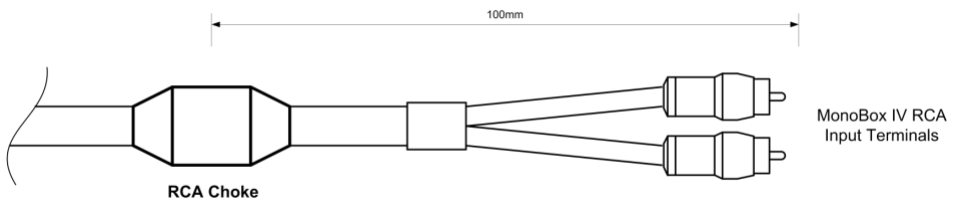
IMPORTANT – Cable Chokes (Must be fitted)

It is recommended that the MonoBox IV is used with cable chokes on the Power, Ground and RCA cables; these are to improve overall low noise performance within the car audio system. Each cable, Power, Ground and RCA should be fitted with a choke (included inside packing) in a position no greater than 100mm of the amplifier terminals. Failure to fit or use this chokes correctly will have serious effect upon the performance of the MonoBox IV amplifier within your system.

Please check Electrical Connections (Page 12) for a visual diagram of the chokes fitted to the Power and Ground cables.

The Diagram below shows the RCA cable fitted with a choke, note the distance from the amplifier input sockets.

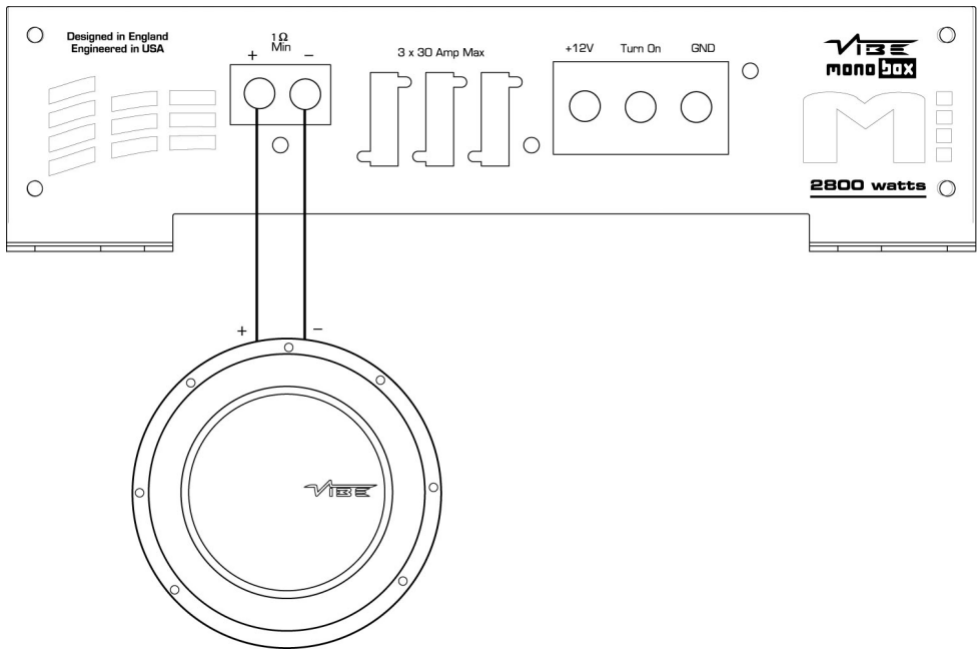
Do NOT fit any form of choke to the speaker cables from the amplifier; this will have severe effects upon performance.



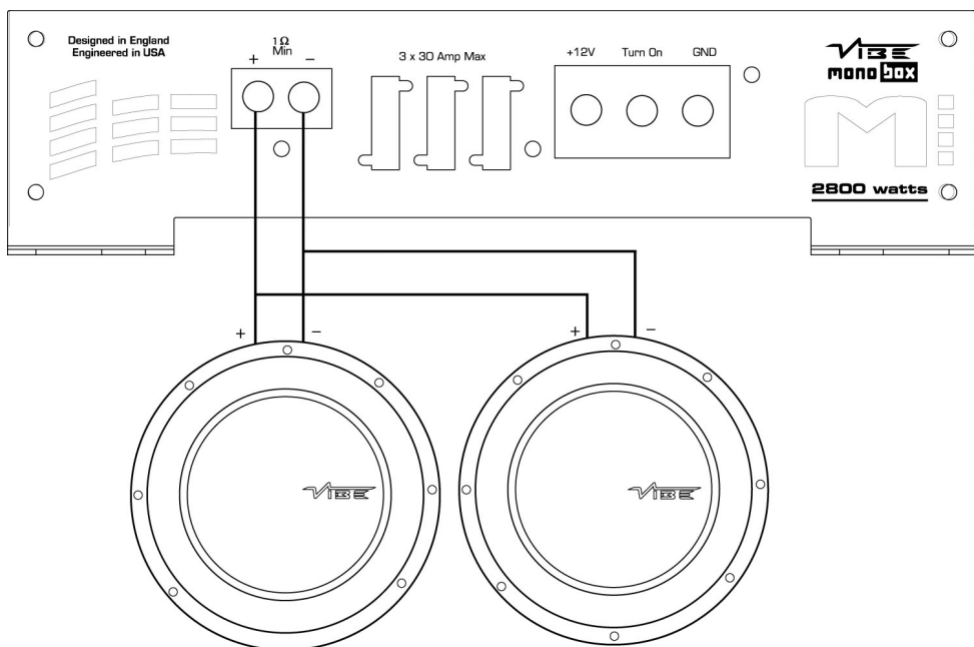
APPLICATIONS

The MonoBox IV is a monoblock amplifier capable of driving speaker loads between 4 and 1 ohm, this load can consist of anything from 1 to 4 actual drive units. The following pages show some of the most common speaker configurations for the MonoBox IV amplifier.

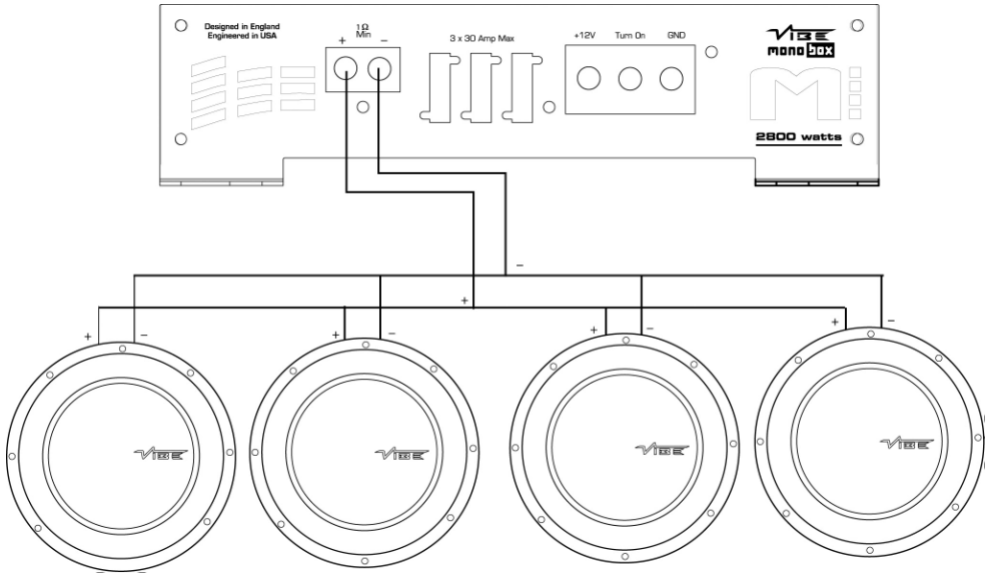
SINGLE 4 OHM SUBWOOFER APPLICATIONS



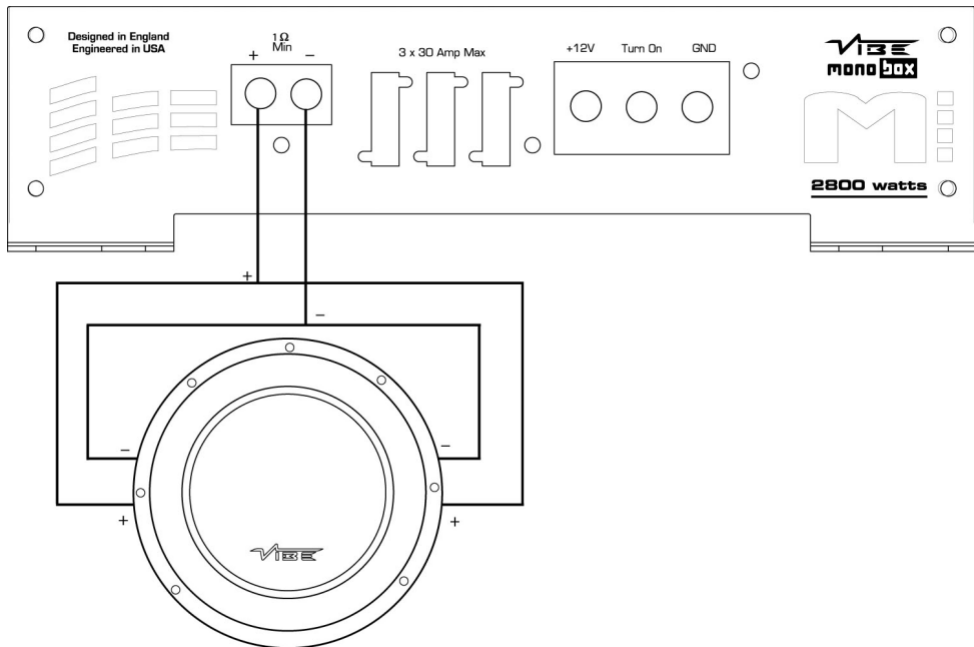
TWIN 4 OHM SUBWOOFER APPLICATIONS (2 Ohm Loading)



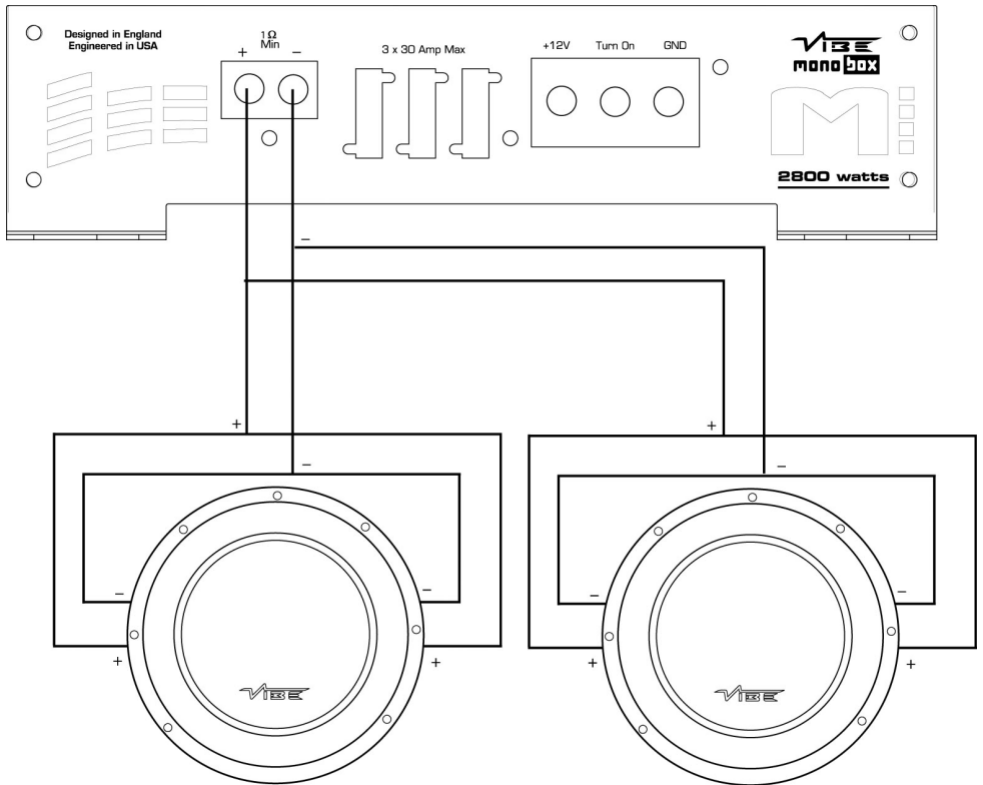
QUAD 4 OHM SUBWOOFER APPLICATIONS (1 Ohm Loading)



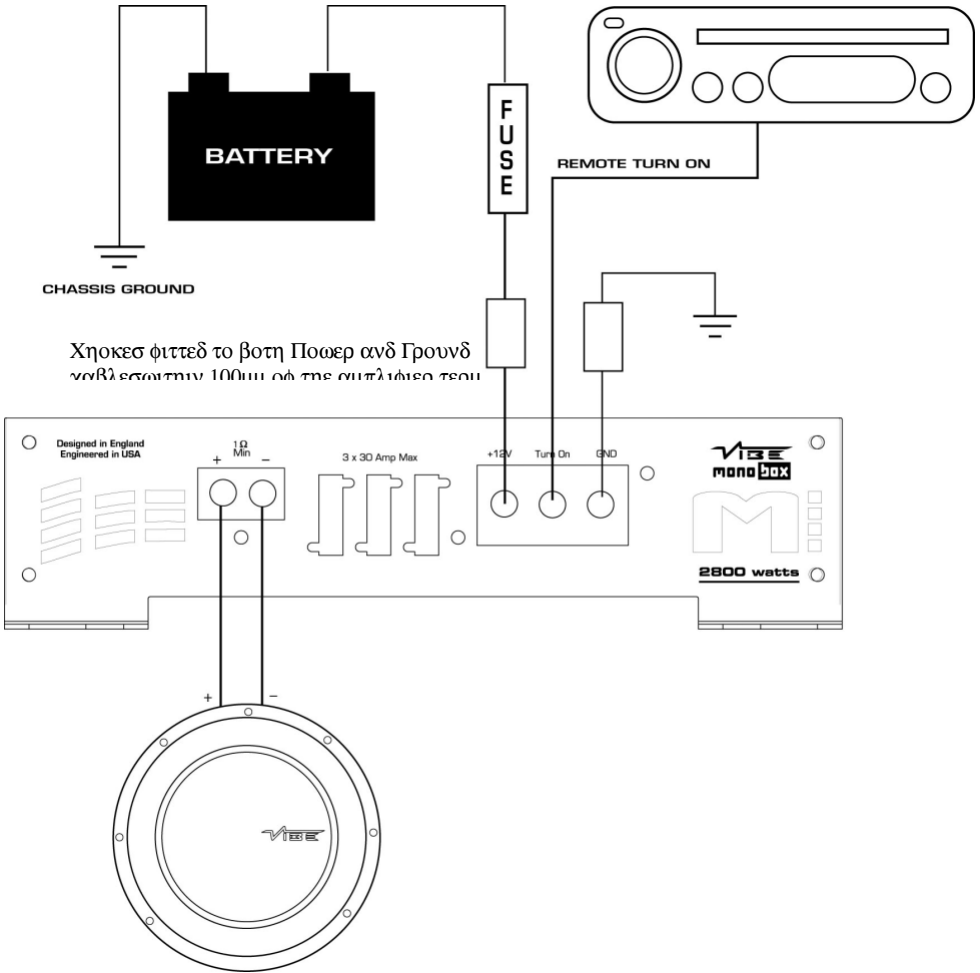
DUAL VOICECOIL (4 OHM) SUBWOOFER APPLICATIONS (2 Ohm Loading)



TWIN DUAL VOICECOIL (4 OHM) SUBWOOFER APPLICATIONS (1 Ohm Loading)



ELECTRICAL CONNECTIONS



POST-INSTALLATION

After completing the installation, follow these steps to set the Gain/Crossover Controls and then perform the Final System Checks.

1. Turn the Gain Control all the way counter-clockwise (Min)
2. Turn the vehicle's ignition switch to the ON position, and then turn the ON/OFF switch on the source unit(s) to the ON position. Set all Tone or Equalisation controls to "flat" positions, and turn Loudness off
3. Play your music source unit and set the Volume Control at 75% of full level. If the system uses an equaliser, set it's frequency controls to "flat" positions
4. Slowly increase the Gain Control. Stop when you hear a slight distortion of audio (beyond this point the subwoofer driver voice coil is at risk of severe damage not covered by warranty)

SETTING THE CROSSOVER

The VIBE MonoBox IV features fully adjustable crossovers, low pass and subsonic.

To set the crossover, follow these steps:

1. Using the Frequency (Hz) Control, select the desired frequency. Depending on the type of subwoofer driver and enclosure the low pass filter should be set to achieve perfect integration between subwoofer output and the rest of the car audio system.
2. Switching on the subsonic filter will enable a lower frequency limit to be set. The subwoofer output can often be cleaned up in terms of clarity and definition if the subsonic output from the amplifier is limited.

FINAL SYSTEM CHECKS

1. Start the engine and turn on the source unit. After a two-second delay, slowly increase the Volume Control and listen to the audio. If you hear any noise, static, distortion or no sound at all, check the connections, and also refer to Troubleshooting. Depending on your system design, the levels may become quite loud even at low Volume Control settings. Until you get an "audio feel" of the system's power, use care when adjusting controls.
2. Increase the volume and verify that the amplifier reproduces audio without distortion. If you hear distortion, check the connections and verify that the Gain Control is set correctly. Another possibility is damaged speakers or under-powered speakers. Once again refer to Troubleshooting for additional help.
3. A distorting subwoofer is not as easily heard, listen for pops and visually check that the cone is not moving at full excursion. If the amplifier at any time enters into a protection mode, note the code displayed by the controller and switch the system off. Check the relevant section highlighted by the code and re-start.

TROUBLESHOOTING

Problem: No Audio

Solution:

- Low or no remote turn-on voltage – check remote connections at amplifier and source unit
 - Blown amplifier fuse – replace with new fast-blow fuse (same rating)
 - Power wires not connected – check battery and ground wiring at amplifier, and also check battery connections
 - Speaker leads shorted – check speaker continuity to ground – it should not show a common ground
 - Speakers not connected or are blown – check speaker connections at amplifier, measure coil impedance
-

Problem: Audio cycles on and off

Solution:

- Thermal protection circuits are shutting the amplifier off – check location for adequate ventilation; consult an authorised VIBE Audio Dealer
-

Problem: Distorted Audio

Solution:

- Gain is not set properly, or damaged speaker cones – review setting gain; inspect each speaker cone for signs of damage (i.e. frozen cone, burning smell etc.)
-

Problem: Audio lacks punch

Solution:

- Speakers wired incorrectly, causing cancellation of bass frequencies – check polarity of wires from amplifier to each speaker as defined by the system design
-

Problem: Amplifier fuse keeps blowing

Solution:

- Incorrect wiring or short circuit – review installation and check all wiring connections
-

Problem: Whining or ticking noise in the audio with engine on

Solution:

- Amplifier is picking up alternator noise or radiated noise. Turn down input gain; move audio cables away from power wires. Check power and ground connections on amplifier – install an in-line noise filter on source unit's power wire. Check alternator and/or voltage regulator – test for weak battery or add water to battery
- Amplifier not fitted with chokes or chokes in correctly fitted. Ensure chokes are fitted in the correct manner.

SPECIFICATIONS

	MonoBox IV
Frequency Response	10 – 250 Hz
Signal Noise Ratio	93dB
THD	< 1%
Input Sensitivity Low Level	250mV – 5V
RMS Power @ 4 Ohm	500 W
RMS Power @ 2 Ohm	850 W
RMS Power @1 Ohm	1400 W
Maximum Power Output	2800 W
Dimensions	510 x 222 x 60 mm
Current Consumption at Max Power	115A @ 1400 W

ENGLISH

Copyright

All content included in this manual such as text, graphics, logos, icons, images and data, is the property of VIBE Technologies Ltd. and is protected by United Kingdom and International copyright laws.

Trademarks

VIBE, Turbo Port, Pressure Board, Super Driver, VIBE Pulse, VIBE Power, VIBE Digital, VP1, VP2, VP3, VP4, VIBE MAG Plugs, Ferrite Loaded, VIBE Solid Core, VIBE OCC, VIBE FLAT, BlackAir, BlackBox and ICC are all trademarks of VIBE. Graphics and logos are trademarks or trade dress of VIBE Technologies Ltd or its subsidiaries. VIBE's trademarks and trade dress may not be used in connection with any product or service that is not VIBE's, in any manner that is likely to cause confusion among customers or in any manner that disparages or discredits VIBE. All other trademarks not owned by VIBE or its subsidiaries that appear in this manual are the property of their respective owners, who may or may not be affiliated with, connected to, or sponsored by VIBE or its subsidiaries.

DISCLAIMER

VIBE DOES NOT REPRESENT OR WARRANT THAT THE INFORMATION CONTAINED IN THIS MANUAL IS COMPLETE OR CURRENT, AND THAT ALL SPECIFICATIONS AND INFORMATION CONTAINED WITHIN THIS MANUAL ARE SUBJECT TO CHANGE WITHOUT NOTICE. VIBE RECOMMENDS CAUTION WHEN LISTENING TO MUSIC REPRODUCED THROUGH VIBE EQUIPMENT. VIBE EQUIPMENT IS CAPABLE OF PRODUCING A SOUND AND SOUND PRESSURE LEVELS THAT CAN PERMANENTLY DAMAGE HEARING OF YOU AND THAT OF OTHERS. FORMSATE AND ENJOYABLE LISTENING, THE SOUND SHOULD BE CLEAR WITHOUT DISTORTION AT A COMFORTABLE VOLUME. BY USING ANY VIBE EQUIPMENT, YOU AGREE TO TAKE FULL RESPONSIBILITY FOR YOUR OWN SAFETY AND THE SAFETY OF OTHERS WHEN LISTENING TO MUSIC AT HIGH VOLUMES THROUGH EQUIPMENT YOU HAVE PURCHASED. USE OF ANY VIBE EQUIPMENT CONSTITUTES AGREEMENT TO THIS DISCLAIMER.

FRANÇAIS

Droits d'auteur

Tout le contenu de ce manuel tel que texte, graphiques, logos, icônes, images et données sont la propriété de VIBE Technologies Ltd. et sont protégés par la loi britannique et internationale sur les droits d'auteur. La compilation du contenu de ce manuel est la propriété exclusive de VIBE et est protégée par la loi britannique et internationale sur les droits d'auteur.

Marques déposées

Les marques VIBE, Turbo Port, Pressure Board, Super Driver, VIBE Pulse, VIBE Power, VIBE Digital, VP1, VP2, VP3, VP4, VIBE MAG Plugs, Ferrite Loaded, VIBE Solid Core, VIBE OCC, VIBE FLAT, BlackAir, BlackBox et ICC sont toutes des marques déposées de VIBE. Les graphiques et logos sont des marques déposées ou de présentation de VIBE Technologies Ltd ou de ses filiales. Les marques déposées et de présentation de VIBE ne peuvent être utilisées en association avec des produits ou des services n'appartenant pas à VIBE de sorte qu'il puisse y avoir confusion de la part des clients ou qui puisse dénigrer ou discrediter VIBE de quelque façon que ce soit. Toutes les marques de fabrique qui ne sont pas la propriété de VIBE ou de ses filiales figurant sur ce site sont la propriété de leurs propriétaires respectifs, qui peuvent être ou ne pas être affiliés, liés ou commandités par VIBE ou par ses filiales.

DÉNI DE RESPONSABILITÉ

VIBE N'OFFRE AUCUNE REPRÉSENTATION NI GARANTIE QUANT À L'EXHAUSTIVITÉ OU À L'ACTUALITÉ DE S INFORMATIONS FIGURANT DANS CE MANUEL. TOUTES LES SPÉCIFICATIONS ET INFORMATIONS CONTENUES DANS CE MANUEL SONT SUJETTES À MODIFICATIONS SANS PRÉAVIS. VIBE VOUS RECOMMANDE DE FAIRE PRÉLÈVE DE PRUDENCE EN ÉCOUTANT DE LA MUSIQUE REPRODUITE AVEC UN APPAREIL VIBE. LES APPAREILS VIBE SONT CAPABLES DE PRODUIRE DES NIVEAUX DE PRESSION SONORE QUI PEUVENT CAUSER DES DOMMAGES IRRÉVERSIBLES À VOTRE SENS DE L'OÛIE OU À CELUI DES AUTRES. POUR JOINDRE LE PLAISIR D'ÉCOUTER LA SECURITÉ, LE SON PEUT ÊTRE RÉGLÉ À UN VOLUME COMFORTABLE TOUT EN RESTANT LIMPE ET SANS AUCUNE DISTORSION. L'UTILISATION D'UN APPAREIL VIBE, QUEL QU'IL SOIT, CONSTITUE L'ACCEPTATION DE TOUTE LA RESPONSABILITÉ À L'ÉGARD DE VOTRE PROPRE SECURITÉ ET DE CELLE DES AUTRES LORSQUE VOUS ÉCOUTEZ DE LA MUSIQUE. À UN VOLUME SONORE ÉLEVÉ AVEC UN APPAREIL DE VOTRE ACQUISITION, L'UTILISATION D'UN APPAREIL VIBE QUEL QU'IL SOIT, CONSTITUE L'ACCEPTATION DES DISPOSITIONS DE CE DÉNI DE RESPONSABILITÉ.

ITALIANO

Copyright

L'intero contenuto di questo manuale, come per esempio i testi, la grafica, i logotipi, le icone, le immagini e i dati, è di proprietà di VIBE Technologies Ltd. ed è protetto dalle leggi internazionali e del Regno Unito sui diritti d'autore. L'organizzazione di tutto il materiale contenuto nel manuale è proprietà esclusiva di VIBE ed è protetto dalle leggi internazionali e del Regno Unito sui diritti d'autore.

Marchi depositati

VIBE, Turbo Port, Pressure Board, Super Driver, VIBE Pulse, VIBE Power, VIBE Digital, VP1, VP2, VP3, VP4, VIBE MAG Plugs, Ferrite Loaded, VIBE Solid Core, VIBE OCC, VIBE FLAT, BlackAir, BlackBox e ICC sono tutti marchi depositati di VIBE. Grafica, logotipi, sono marchi registrati o marchi aziendali o di VIBE Technologie Ltd o delle sue controllate. È vietato utilizzare i marchi registrati e l'immagine aziendale di VIBE per prodotti o servizi che non siano di VIBE, onde evitare di creare situazioni fuorvianti per i clienti o di danneggiare o screditare VIBE. Tutti gli altri marchi depositati non di proprietà di VIBE o delle sue consociate che compaiono in questo sito appartengono ai rispettivi proprietari, che possono essere consociati, collegati a, o sponsorizzati da VIBE o dalle sue controllate o meno.

ESONERO DA RESPONSABILITÀ

VIBE NON RILASCIÀ DICHIARAZIONI O GARANZIE SULLA COMPLETEZZA O SULL'AGGIORNAMENTO DELLE INFORMAZIONI CONTENUTE NEL PRESENTE MANUALE. TUTTI I DATI TECNICI E LE INFORMAZIONI CONTENUTE NEL PRESENTE MANUALE POSSONO ESSERE MODIFICATI SENZA PREAVVISO. VIBE SUGGERISCE PRUDENZA DURANTE L'ASCOLTO DI MUSICA RIPRODotta CON ATTREZZATURA VIBE. LE ATTREZZATURE VIBE SONO IN GRADO DI RIPRODURRE LIVELLI DI PRESSIONE SONORA TALI DA DETERMINARE DANNI PERMANENTI ALL'UDITO. PER UN ASCOLTO PIACEVOLE E SICURO, IL SUONO DEVE ESSERE CHIARO E SENZA DISTORSIONI AL GIUSTO VOLUME. NELL'UTILIZZARE QUALSIASI APPARECCHIO VIBE, L'UTENTE SI ASSUME LA PIENA RESPONSABILITÀ DELLA SICUREZZA PROPRIA E DEGLI ALTRI DURANTE L'ASCOLTO DELLA MUSICA A VOLUME ALTO CON I SISTEMI ACQUISTATI. L'UTILIZZO DI QUALSIASI SISTEMA VIBE IMPLICA L'ACCETTAZIONE DEL PRESENTE

DEUTSCH

Copyright - Vermerk

Samtliche Inhalte dieses Handbuchs wie Text, Grafiken, Firmenzeichen, Symbole, Bilder, Daten sind Eigentum von VIBE Technologies Ltd. und sind durch das Urheberrechtsgesetz Großbritanniens und die internationalen Urheberrechtsabkommen geschützt. Die in diesem Handbuch erfolgte Zusammenstellung von Inhalten ist ausschließliches Eigentum von VIBE und ist durch das Urheberrechtsgesetz Großbritanniens und die internationalen Urheberrechtsabkommen geschützt.

Warenzeichen

VIBE, Turbo Port, Pressure Board, Super Driver, VIBE Pulse, VIBE Power, VIBE Digital, VP1, VP2, VP3, VP4, VIBE MAG Plugs, Ferrite Loaded, VIBE Solid Core, VIBE OCC, VIBE FLAT, BlackAir, BlackBox und ICC sind Warenzeichen von VIBE. Die Grafiken und Firmenzeichen sind Warenzeichen bzw. Handelsformen von VIBE Technologies Ltd. oder seinen Tochtergesellschaften. Die Verwendung der Warenzeichen und Handelsformen von VIBE in Zusammenhang mit Produkten oder Dienstleistungen, die nicht zu VIBE gehören, welche dazu führen könnte, dass bei den Kunden Verwirrung entsteht oder die VIBE in irgendeiner Art herabsetzt oder in Missredit bringt, ist unzulässig. Alle sonstigen Warenzeichen auf dieser Webseite, die nicht Eigentum von VIBE, einer Tochtergesellschaft sind, befinden sich im Eigentum der jeweiligen Rechtsinhaber, die mit VIBE oder einer ihrer Tochtergesellschaften verbunden bzw. von ihr gesponsert sein können, dies aber nicht zwingend sind.

HAFTUNGSAUSSCHLUSS

VIBE ÜBERNIMMT KEINE GEWÄHR FÜR DIE VOLLSTÄNDIGKEIT ODER AKTUALITÄT DER IN DIESEM HANDBUCH ZUGÄNGLICHEN INFORMATIONEN. ALLE IN DIESEM HANDBUCH ENTHALTENEN SPEZIFIKATIONEN UND ALLE INFORMATIONEN SIND FREIWEILIG. VIBE BAT KEINE ANFORDERUNGEN AN DATEN BEZÜGLICH DER VORSICHT. DIE VON DEN VIBE-GERÄTEN ERZEUGTEN SCHALLDRUCKWERTE KÖNNEN UNTER UMSTÄNDEN IHR GEHÖR BZW. DAS GEHÖR ANDERER DAUERHAFT SCHÄDIGEN. FÜR EINEN SICHEREN HÖRGENUSS SOLLTE DER TON BEI ANGENEHMER LAUTSTARKE KLAR UND UNVERZERRT SEIN. BEI DER VERWENDUNG VON VIBE-GERÄTEN ÜBERNEHMEN SIE VOLL VERANTWORTUNG FÜR IHRE EIGENE SICHERHEIT SOWIE DIE SICHERHEIT ANDERER BEIM ZUHÖREN VON LAUTSTÄRKER MUSIK MITTELS DER VON IHNEN ERWORBENEN GERÄTE. DURCH DIE BENUTZUNG VON VIBE-GERÄTEN ERKLÄREN SIE SICH MIT DIESER HAFTUNGS-AUSSCHLUSSKLAUSEL EINVERSTANDEN.

ESPAÑOL

Derechos de autor

Todo el contenido incluido en este manual, como texto, gráficos, logotipos, iconos, imágenes y datos, es la propiedad de VIBE Technologies Ltd y está protegido por las leyes de derechos de autor internacionales y del Reino Unido. La recopilación de todo el contenido de este manual es propiedad exclusiva de VIBE y está protegido tanto por las leyes de derechos de autor internacionales como por las del Reino Unido.

Marcas registradas

VIBE, Turbo Port, Pressure Board, Super Driver, VIBE Pulse, VIBE Power, VIBE Digital, VP1, VP2, VP3, VP4, VIBE MAG Plugs, Ferrite Loaded, VIBE Solid Core, VIBE OCC, VIBE FLAT, BlackAir, BlackBox y ICC son marcas registradas de VIBE. Los gráficos y logotipos son marcas registradas o de la etiqueta comercial de VIBE Technologies Ltd o sus filiales. Las marcas registradas o la etiqueta comercial de VIBE no podrán ser utilizadas en relación con cualquier producto o servicio que no sea de VIBE, ni de cualquier manera que pudiese causar confusión entre los clientes o que menospreciara o desacreditara a VIBE. El resto de marcas registradas que no sean propiedad de VIBE o sus filiales y que aparezcan en este sitio son propiedad de sus respectivos propietarios que pueden estar, o no, afiliados, conectados o patrocinados por VIBE o sus filiales.

EXENCIÓN DE RESPONSABILIDAD

VIBE NO ASEGURA NI GARANTIZA QUE LA INFORMACIÓN ACCESIBLE EN ESTE MANUAL ESTÉ COMPLETA O SEA ACTUAL. TODAS LAS ESPECIFICACIONES Y LA INFORMACIÓN CONTENIDAS EN ESTE MANUAL ESTÁN SUJETAS A CAMBIOS SIN PREVIO AVISO. VIBE RECOMIENDA PRECAUCIÓN AL ESCUCHAR MUSICA REPRODUCIDA MEDIANTE EL EQUIPO VIBE. EL EQUIPO VIBE ES CAPAZ DE PRODUCIR UNOS NIVELES DE PRESIÓN DE SONIDO QUE PODRÍAN DAÑAR SU SISTEMA AUDITIVO O EL DE OTROS. POR MOTIVOS DE SEGURIDAD PARA DISFRUTAR ESCUCHANDO MUSICA, EL SONIDO TIENE QUE SER CLARO, SIN DISTORSIONES Y A UN VOLUMEN COMFORTABLE AL USAR CUALQUIER EQUIPO VIBE. ACEPTA LA TOTAL RESPONSABILIDAD DE SU PROPIA SEGURIDAD Y LA SEGURIDAD DE OTROS AL ESCUCHAR MUSICA A VOLUMEN ALTO CON EL EQUIPO QUE HA COMPRADO. EL USO DE CUALQUIER EQUIPO VIBE CONSTITUYE UN CONSENTIMIENTO A ESTA EXENCIÓN DE RESPONSABILIDAD.