



**Q3
69**

Instruction Manual

To ensure maximum performance and safety, please follow this manual. Please retain the manual for future reference after installation.

Introduction

This manual is for your safety and must be adhered to at all times, please read this manual and ensure that you fully understand the installation and set up procedures explained in this manual before any work on the vehicle is attempted.

If you have any doubts about the installation of the VIBE QB69 speakers please contact your nearest authorised VIBE dealer.

Contents

2 x QB69 speakers

2 x 2 way passive crossover units with speaker cable

2 x ABS grills

12 x mounting screws

1 x mounting template

Standard features

20% more cone area than conventional 6 x 9 speakers due to unique rectangular shape Ultra stiff IMPP injection moulded polypropylene woofer cone. New aluminium POWER TWEETER delivers ultra extended high frequency response. Subwoofer motor structure allows massive power handling and delivers boosted powerbass™. Separate screw down input terminals for woofer and tweeter for maximum system flexibility. A new revised and unique grill design. The new grill protects the speaker whilst showcasing their unique attributes and styling. 2 way passive crossover with speaker cable included.

WARNING

DO NOT EXPOSE THIS PRODUCT TO DAMP OR MOISTURE - doing so may result in fire, shock or damage to the product.
BEFORE WIRING DISCONNECT THE CABLE FROM THE POSITIVE BATTERY TERMINAL - failure to do so may result in electric shock or injury.

ENSURE GOOD AND CORRECT CONNECTIONS - failure to make the correct connections may result in fire or damage to the product.

DO NOT USE FUNCTIONS OF THIS EQUIPMENT THAT MAY TAKE YOUR CONCENTRATION AWAY FROM DRIVING YOUR VEHICLE - do not set up your amplifier whilst driving, doing so may result in an accident. For prolonged setting up, make sure that your vehicle is stationary and in a safe location.

KEEP THE VOLUME AT A LEVEL SO YOU CAN STILL HEAR OUTSIDE NOISE - failure to do this may result in an accident. VIBE equipment is capable of producing sound levels that can permanently damage your hearing. VIBE recommends caution when listening at high volume. For safe and enjoyable listening the sound should be comfortable and clear without distortion.

CAUTION

Never connect any speaker lead to the car chassis. This can cause severe damage to your speaker / car radio / amplifier. Before drilling or cutting any holes, investigate the layout of your vehicle thoroughly.

Use caution when working near the fuel / hydraulic lines and electrical wiring.

Observe the correct polarity when wiring, improper phasing may cause a loss of bass response.

Ensure that no moving parts catch on the speaker or grill (e.g. window or door handles, or window glass inside the door)

Installation

The quality of the installation will affect the system performance and reliability.

Contact your nearest authorised VIBE dealer if you are unsure on the installation of this product.

Please mount this unit away from any potential hazards.

Minimising the length of wires will provide higher audio output from the system.

The speaker should be securely fastened to the mounting position using the screws provided.

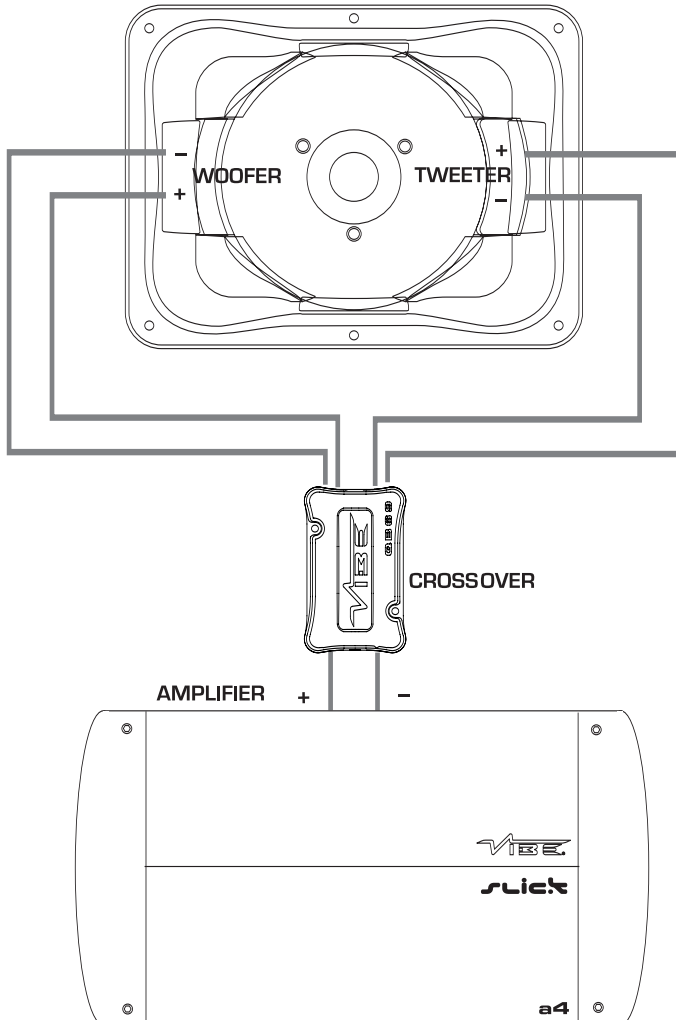
Pre drill your mounting holes using a drill and position with the template provided.

Be sure to investigate your mounting area thoroughly for electrical wires, brake or fuel lines or fuel tank to prevent causing any damage.

Firstly make sure that the speakers will fit in your chosen location. This may involve the removal of the standard vehicle speakers. Please use the mounting depth and hole cut dimensions as detailed in this manual for guidance.

Before you begin please read all instructions that come with your power tools and wear all recommended safety equipment, also remember the rule - measure twice cut once, please ensure that the QB69 will actually fit in its intended location as replacing metalwork is a costly business.

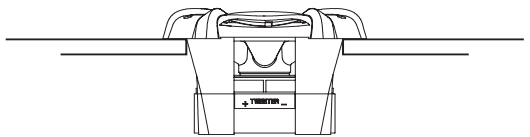
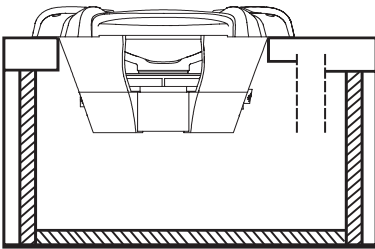
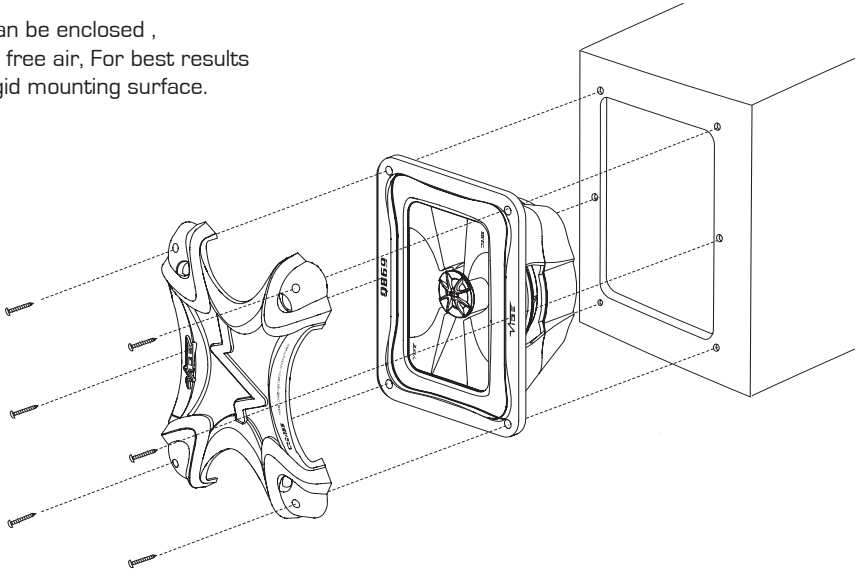
- Find a suitable position for the crossover, this should not interfere with any moving parts of the vehicle.
- Please ensure that correct polarity is observed as incorrect wiring will result in poor sound quality and loss of bass
- The positive and negative lead of the crossover input must be connected to the positive and negative terminal of the amplifier.
- The woofer positive and negative lead of the crossover must be connected to the positive and negative woofer input terminal of the QB69.
- The tweeter positive and negative lead of the crossover must be connected to the positive and negative tweeter input terminal of the QB69.



- Using the template provided, mark out with a pen the hole that is to be cut out of the aperture.
- Carefully cut out the mounting hole with an appropriate tool.
- Markout for the 6 mounting screw holes and pre drill if screwing into metal.
- Secure the 2 side screws first and then fasten the 4 corner screws through the grill and the speaker to secure the speaker in place.

Congratulations you have completed the installation of the VIBE QB69

Speakers can be enclosed ,
or mounted free air, For best results
ensure a rigid mounting surface.



Parameters

RMS Power = 200 watts

Peak Power = 600 watts

Minimum recommended amplifier input = 100 Watts RMS

Sensitivity = 93dB

Frequency response = 30Hz - 25KHz

Mounting cutout = 170mm x 220mm

Mounting depth = 100mm

Recv = 3.600 ohms

Fo = 45.272 Hz

Sd = 28.400 mm

Vas = 31.383 ltr

Cms = 274.008 u M/N

Mmd = 31.081 MKg

Mms = 33.833 g

Bl = 7.032 Tm

Qms = 2.368

Qes = 0.809

Qts = 0.503

Levc = 191.015 uH

No = 0.536%

SPLo = 89.3.8dB



In order to protect your purchase and aid your warranty please fill in the following form and keep it safe for your future reference:

Model Number:

Serial Number:

Purchased From:

Date of Purchase:

KEEP IT SAFE
Staple your receipt here:

Limited Warranty

All VIBE products carry a full twelve months warranty period, valid from the date of the original receipt and proof of purchase. In order to validate this warranty, the warranty card should be returned to VIBE within seven days of the original purchase date. The original receipt and packaging are should also be retained for this twelve month period.

If at any stage during the warranty period you have a problem with the product then it should be returned to the point of purchase, in its original packaging, complete with no items missing.

If the store is unable to fix the product it may have to be returned to VIBE this process takes around 7 working days and no costs will be occurred.

A full description of VIBE's warranty information can be found on our website:

www.vibeaudio.co.uk/warranty

A written version can also be obtained from
VIBE warranty Dept
PO BOX 11000
B75 7WG

Copyright

All content included in this manual such as text, graphics, logos, icons, images and data, are the property of VIBE Technologies Limited (herein referred to as "VIBE", "us" or "we") and its affiliate or their content and technology providers, and are protected by United Kingdom and International copyright laws. All rights reserved.

VIBE Turbo Port, Vibe TurboVent, Pressure Board, Super Driver, VIBE Pulse, VIBE Power, VIBE Digital, VIBE MAG Plugs, Ferrite Loaded, VIBE Solid Core, VIBE OCC, VIBE FLAT, BlackAir, BlackBox, Space, MonoBox, SA-K, SR, QB89, ICC, Bass Enhance, Bass Enhance+, QBass, SpeedBass, PowerBass and all stylised representations of product names, or the abbreviations of product names, as logos are all trademarks of VIBE. Graphics and logos are trademarks or trade dress of VIBE Technologies Ltd or its subsidiaries.

VIBE's trademarks and trade dress may not be used in connection with any product or service that is not VIBE's, in any manner that is likely to cause confusion among customers or in any manner that disparages or discredits VIBE. All other trademarks not owned by VIBE or its subsidiaries that appear in this manual are the property of their respective owners, who may or may not be affiliated with, connected to, or sponsored by VIBE or its subsidiaries.

TO THE FULLEST EXTENT PERMITTED AT LAW, VIBE IS PROVIDING THIS MANUAL AND ITS CONTENT ON AN "AS IS" BASIS AND MAKES NO (AND EXPRESSLY DISCLAIMS ALL) REPRESENTATIONS OR WARRANTIES OF ANY KIND, EXPRESS OR IMPLIED, WITH RESPECT TO THIS MANUAL OR THE INFORMATION, CONTENT, MATERIALS OR PRODUCTS INCLUDED IN THIS MANUAL INCLUDING, WITHOUT LIMITATION, WARRANTIES OF MERCHANTABILITY AND FITNESS FOR A PARTICULAR PURPOSE.

IN ADDITION, VIBE DOES NOT REPRESENT OR WARRANT THAT THE INFORMATION CONTAINED IN THIS MANUAL IS COMPLETE OR CURRENT, AND THAT ALL SPECIFICATIONS AND INFORMATION CONTAINED WITHIN THIS MANUAL ARE SUBJECT TO CHANGE WITHOUT NOTICE.

VIBE RECOMMEND CAUTION WHEN LISTENING TO MUSIC REPRODUCED THROUGH VIBE EQUIPMENT. VIBE EQUIPMENT IS CAPABLE OF PRODUCING SOUND AND SOUND PRESSURE LEVELS THAT CAN PERMANENTLY DAMAGE HEARING OF YOU AND THAT OF OTHERS. FOR SAFE AND ENJOYABLE LISTENING, THE SOUND SHOULD BE CLEAR WITHOUT DISTORTION AT A COMFORTABLE VOLUME.

BY USING ANY VIBE EQUIPMENT, YOU AGREE TO TAKE FULL RESPONSIBILITY FOR YOUR OWN SAFETY AND THE SAFETY OF OTHERS WHEN LISTENING TO MUSIC AT HIGH VOLUMES THROUGH EQUIPMENT YOU HAVE PURCHASED. USE OF ANY VIBE EQUIPMENT CONSTITUTES AGREEMENT TO THIS DISCLAIMER.

Except as specifically stated in this manual, to the fullest extent permitted at law, neither VIBE nor any of its affiliates, directors, employees or other representatives will be liable for damages arising out of or in connection with the use of this manual or the information, content, materials or products included.

This is a comprehensive limitation of liability that applies to all damages of any kind, including (without limitation) compensatory, direct, indirect or consequential damages, loss of data, income or profit, loss of or damage to property and claims of third parties. For the avoidance of doubt, VIBE does not limit its liability for death or personal injury to the extent only that it arises as a result of negligence of VIBE, its affiliates, directors, employees or other representatives.

VIBE[®]
Vented Innovative Bass Enclosures